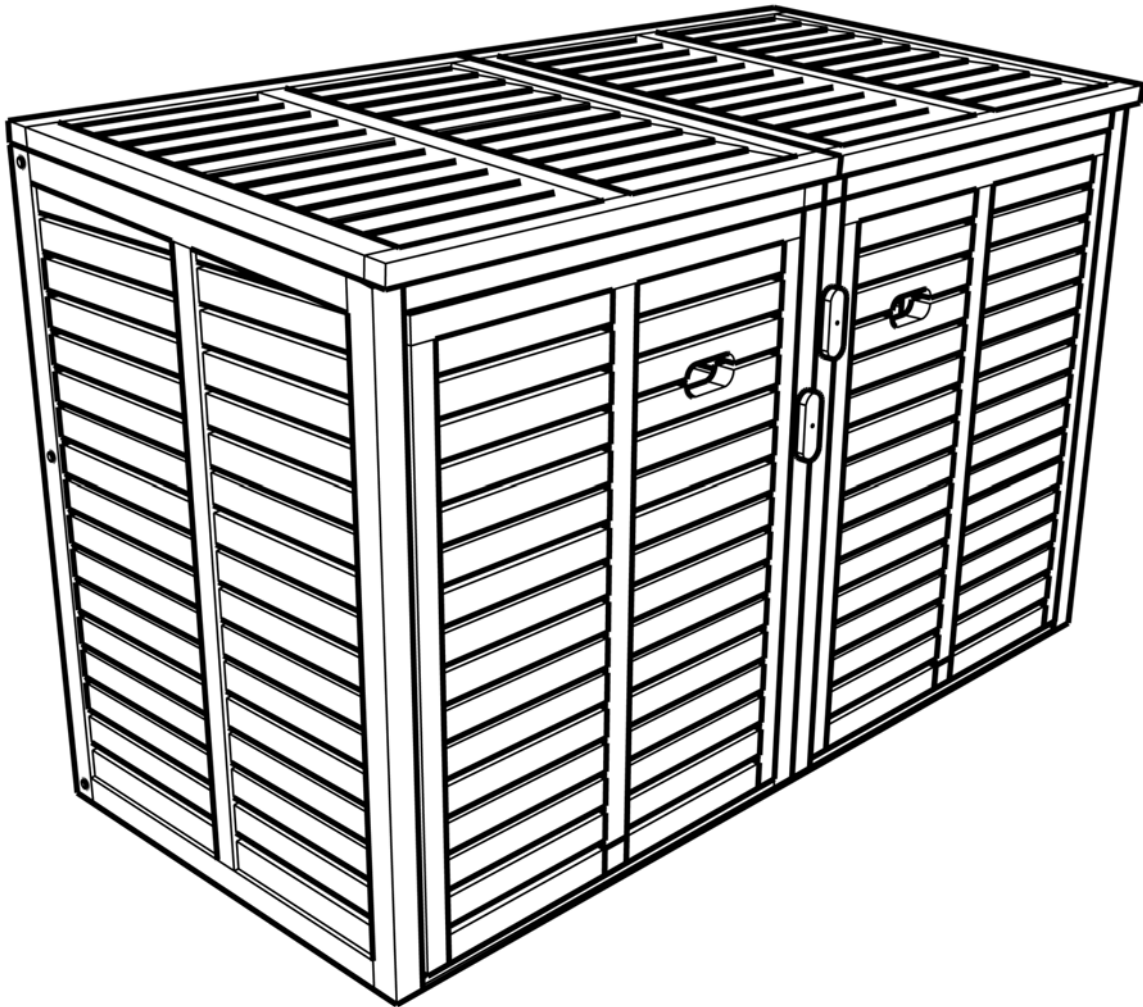


wheelie bin covers

assembly instructions



www.wheeliebincovers.co.uk

Thank you for purchasing this Wheelie Bin Cover. For further information on this product, please visit our website: www.wheeliebincovers.co.uk

Whats included in the box:

x20 Large Screws



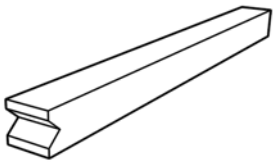
x4 Medium Screws



x62 Small Screws



x2 Prop



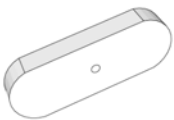
x2 Top Support



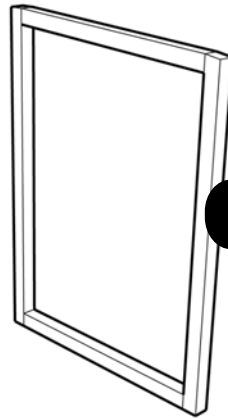
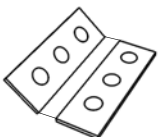
x2 Bottom Support



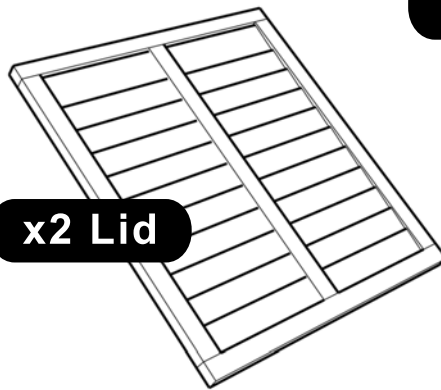
x2 Door Catch



x10 Hinges



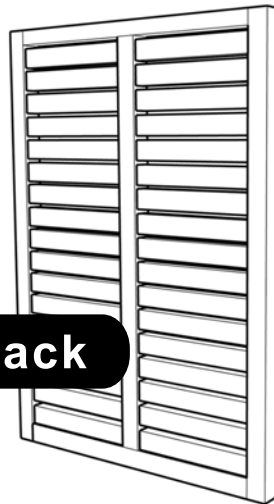
x2 Middle



x2 Lid

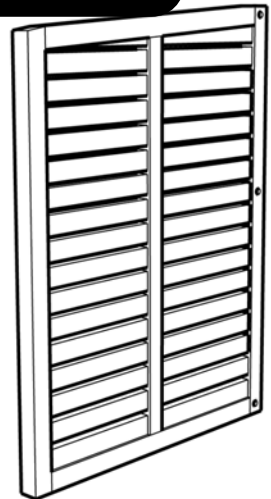


x2 Door



x2 Back

x2 Side



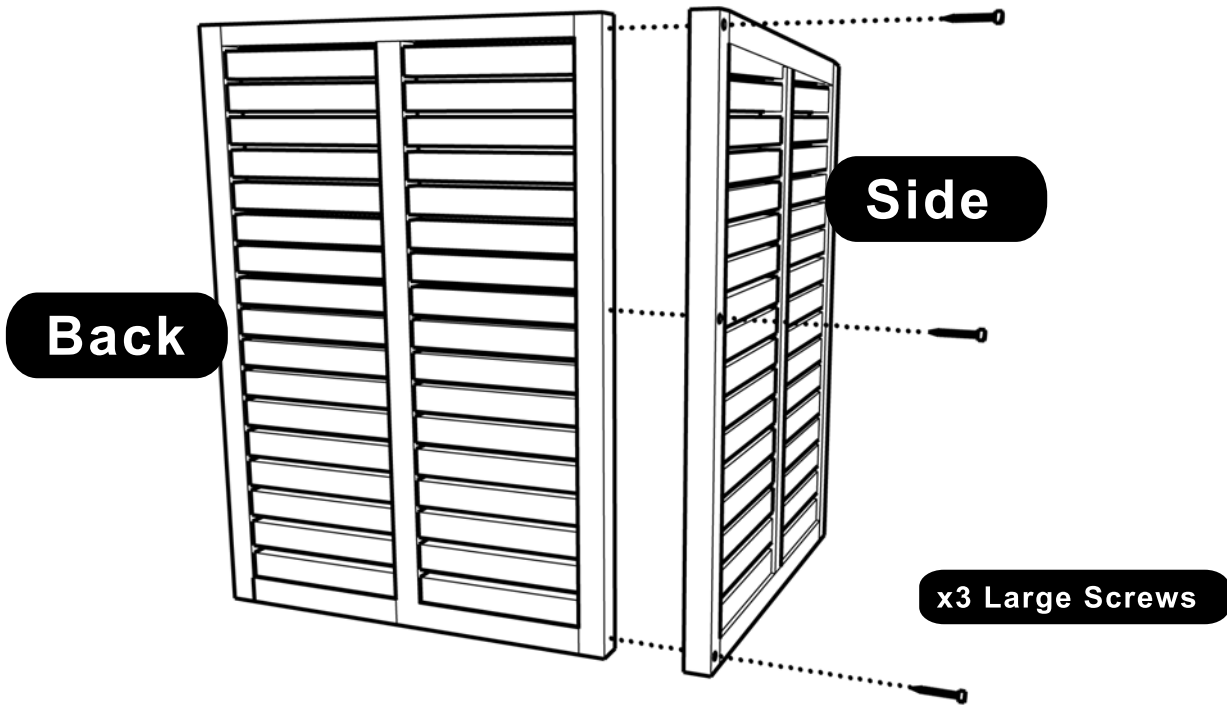
x2 Chain



* You will need a phillips head screwdriver or drill*
Two people recommended to assemble this item.

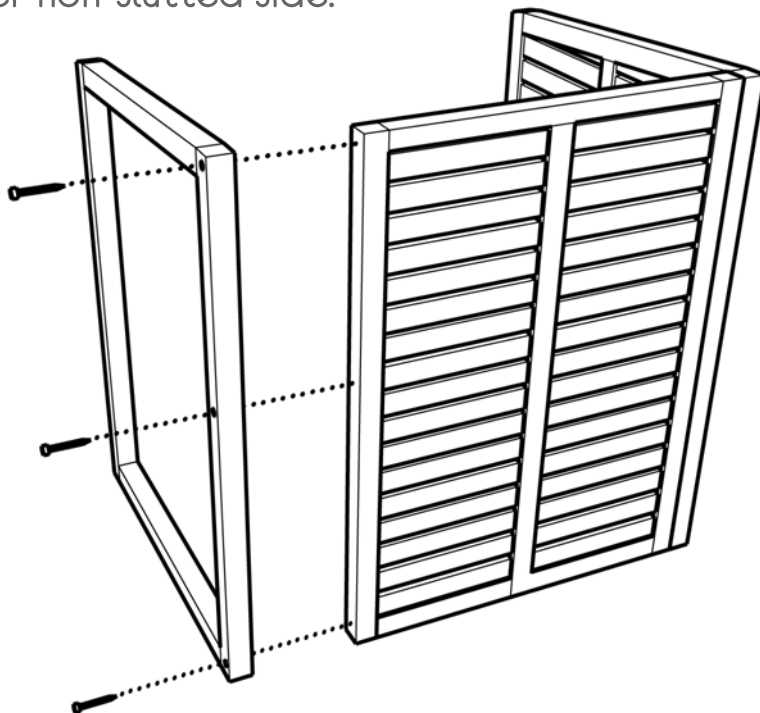
Step 1:

Position BACK upright and align one slatted SIDE. Secure together using 3 LARGE SCREWS.



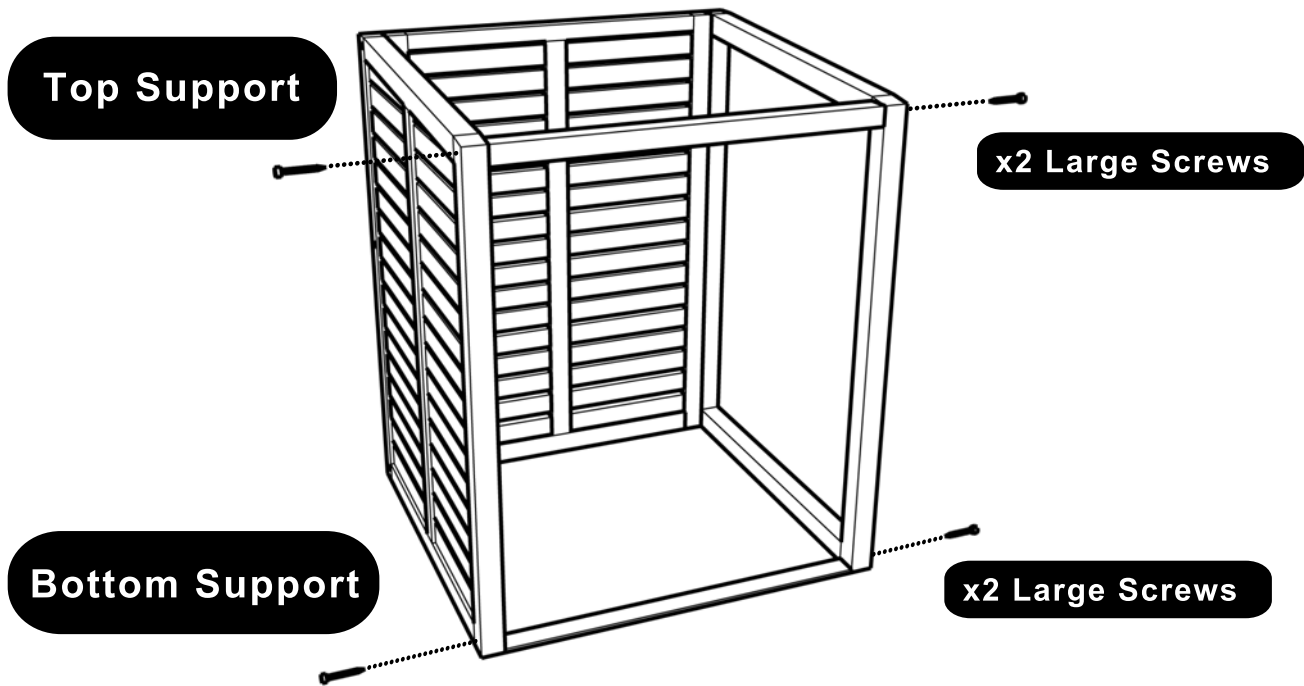
Step 2:

Repeat with other non-slatted side.



Step 3:

Attach TOP SUPPORT using 2 LARGE SCREWS.

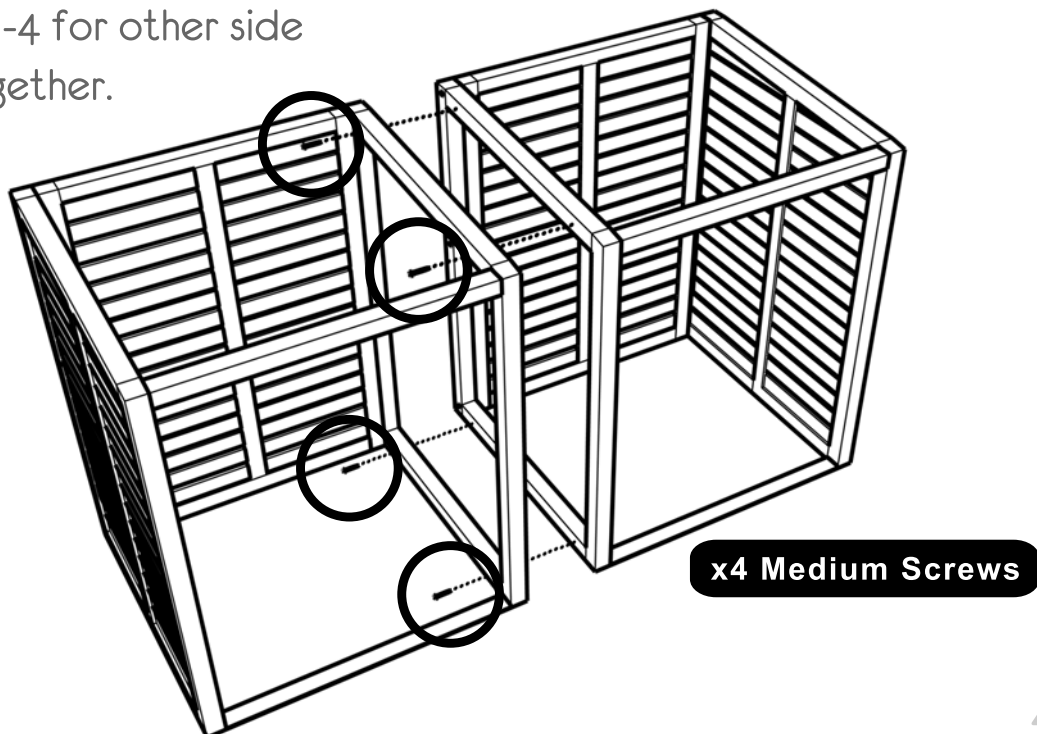


Step 4:

Attach BOTTOM SUPPORT using 2 LARGE SCREWS.

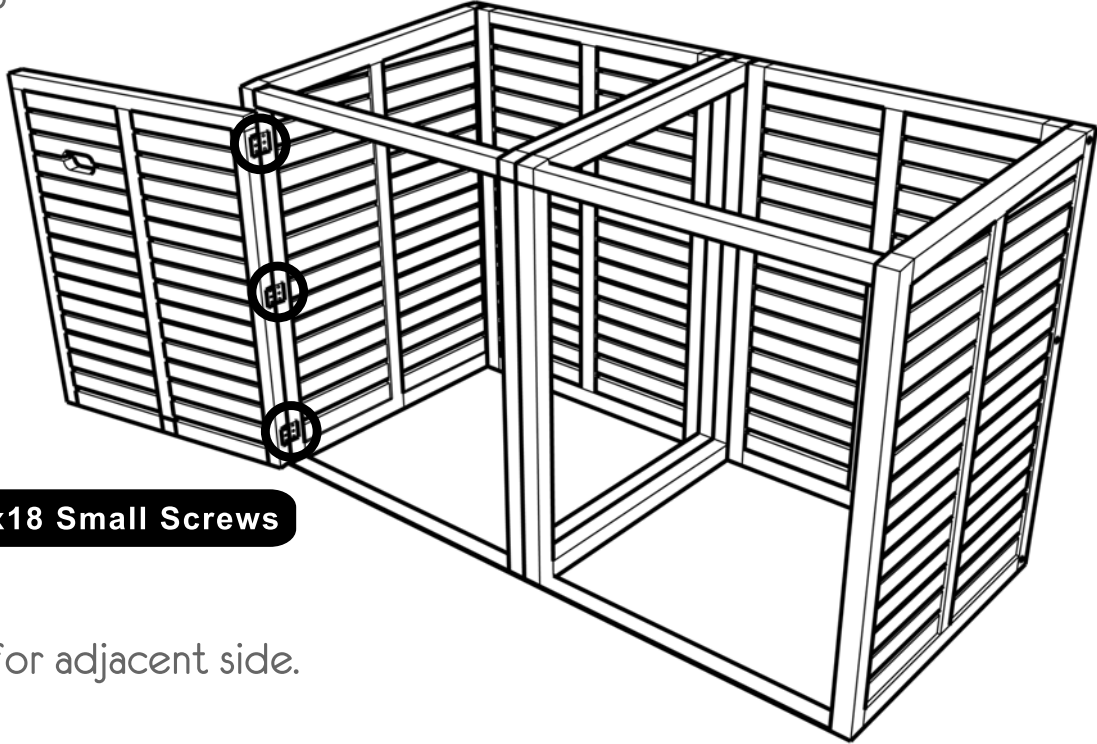
Step 5:

Repeat steps 1-4 for other side then screw together.



Step 6:

Attach FRONT DOOR, securing the hinges with 18 SMALL SCREWS in each hinge.



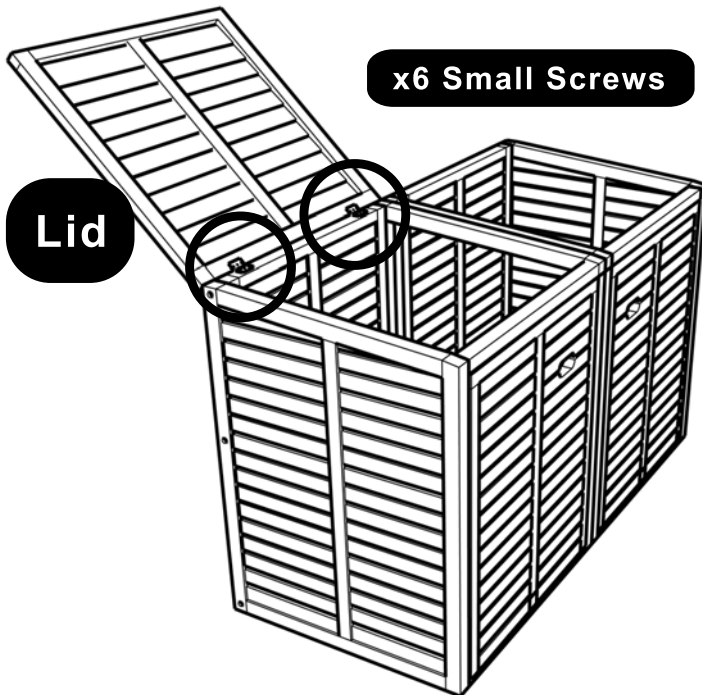
x18 Small Screws

Step 7:

Repeat for adjacent side.

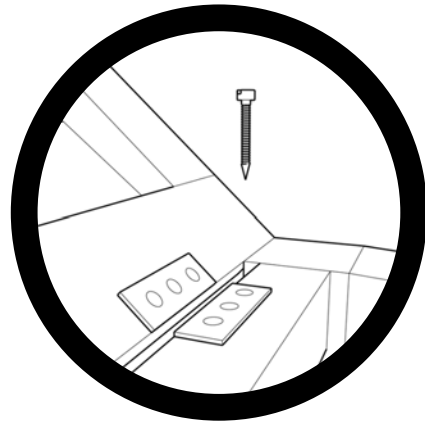
Step 8:

Attach LID securing two hinges with 6 SMALL SCREWS in each hinge.



x6 Small Screws

Lid

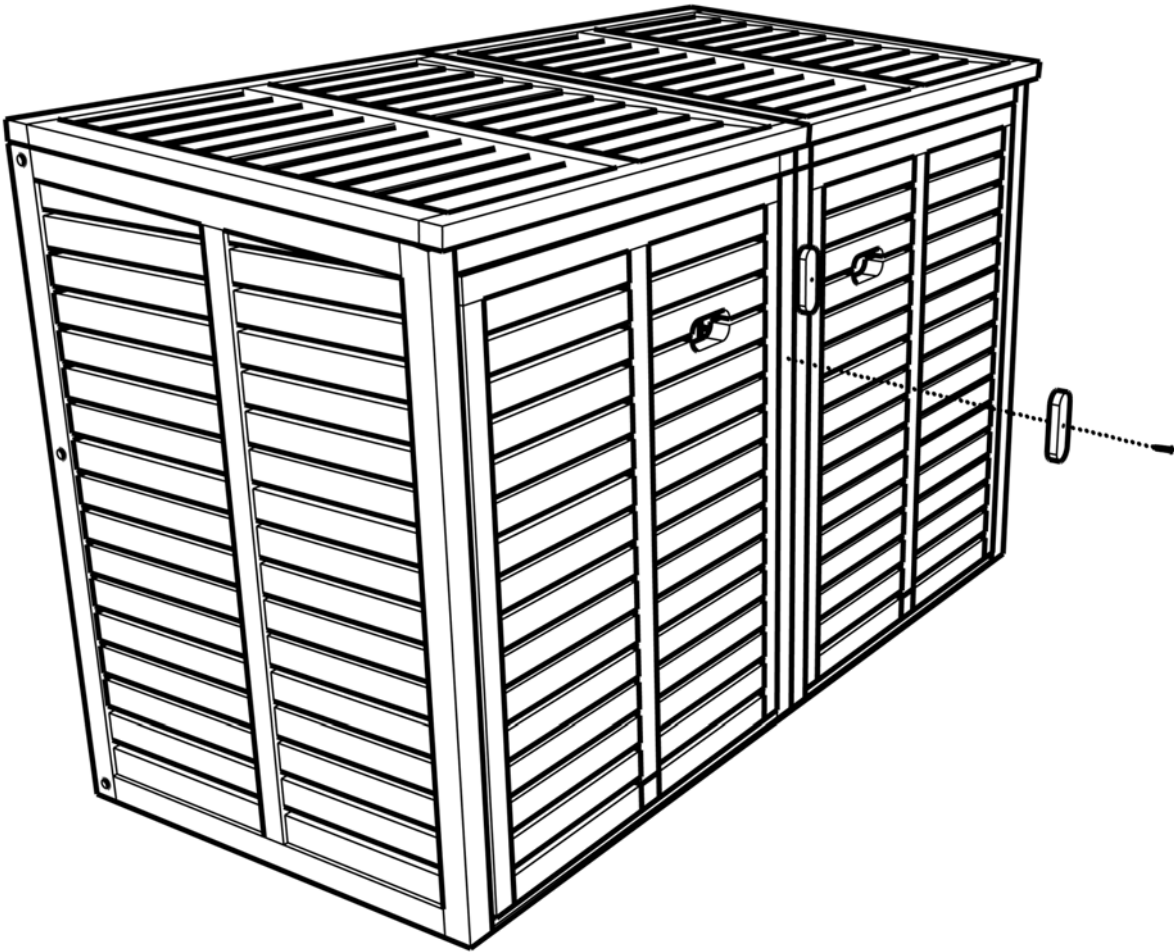


Step 9:

Repeat step 8 for other LID.

Step 9:

Screw DOOR CATCH on front of wheelie bin cover to opposite side from hinges, using 1 SMALL SCREW in preferred position.

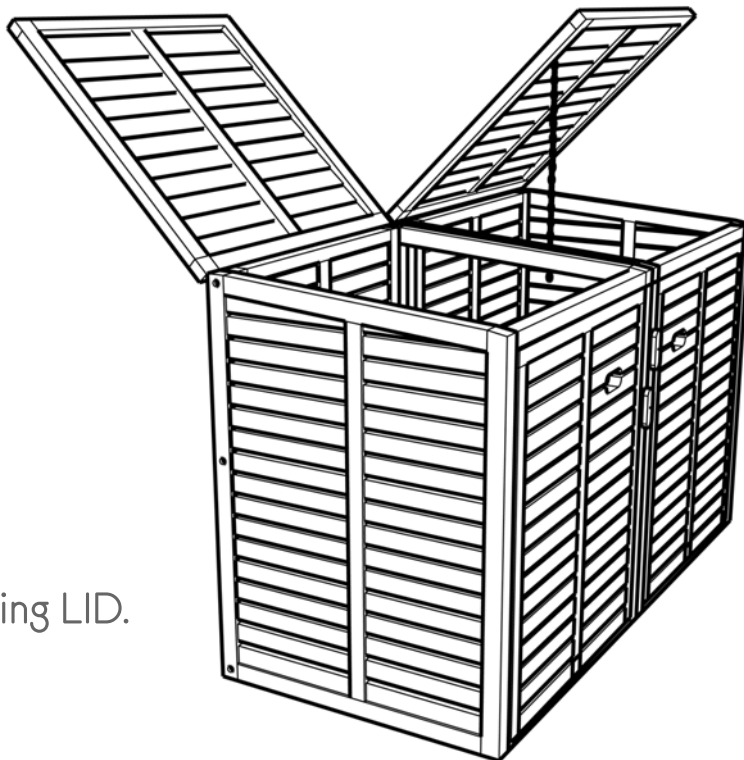
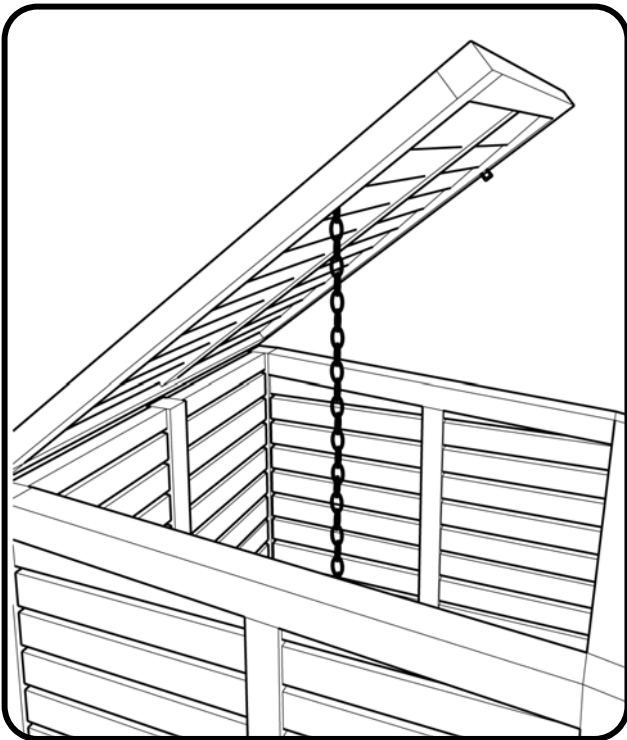


Step 10:

Repeat step 9 for other DOOR CATCH.

Step 11:

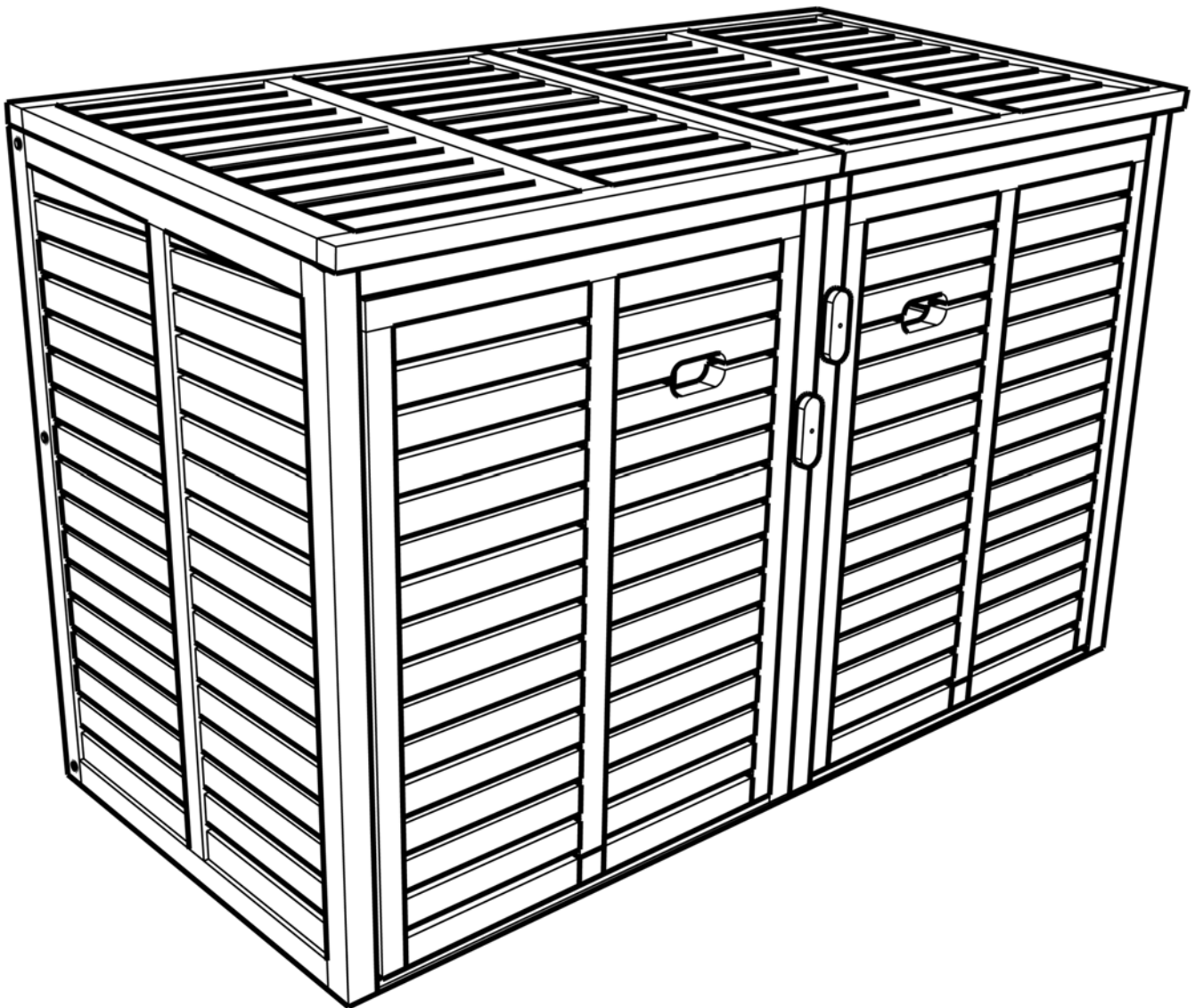
Using small hook provided on top left side of LID, attach CHAIN. This can be used to thread through handle of your wheelie bin to open bin lid as LID is lifted.



Step 12:

Repeat step 11 for remaining LID.

wheelie bin covers



www.wheeliebincovers.co.uk